

Telaire 6004 CO₂ Module Specifications

Method

Non Dispersive Infrared (NDIR), gold plated optics, diffusion or flow through sampling (with Telaire's Patented ABC Logic Self Calibrated Algorithm)

Measurement Range

0 to 2000 ppm

Dimensions

2 x 2.25 x 0.75 in (50.8 x 57.15 x 19.04 mm)

Accuracy*

@ 72°F (22°C) when compared against a certified factory reference ± 40 ppm + 3% of reading

Temperature Dependence

0.2% FS per °C

Stability

< 2% of FS over life of sensor (15 year typical)

Non Linearity

< 1% of FS

Pressure Dependence

0.135 of reading per mm Hg

Calibration Interval

Not required

Response Time

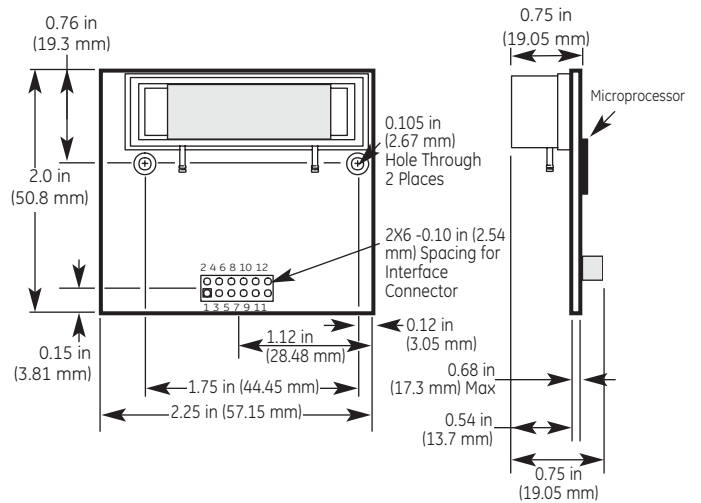
< 2 minutes for 90% step change typical

Signal update

Every 2 seconds

Warm up time

- < 2 minutes (operational)
- 10 minutes (maximum accuracy)



Board Layout and Component

Operating conditions

- 32°F to 122°F (0°C to 50°C)
- 0 to 95% RH, non condensing

Storage conditions

-40°F to 158°F (-40°C to 70°C)

Output

Digital

SPI/Microwire or UART @ 9600 Baud (Please call for detailed product specifications).

Analog

0 to 4 VDC

Power Supply Requirements

5 VDC regulated ($\pm 5\%$)

Power Consumption

- 0.75 watts peak
- 0.15 watts average

Interface Connections

Designed for 12 pin male header with 0.1 in (2.54 mm) Spacing. Header not included.

Flow Rates (via flow ports)

Diffusion version 80 – 120 cc/min

Flow through version 40 – 50 cc/min

Telaire 6004 CO₂ Module Specifications

Warranty Term
18 months

* Handling and OEM assembly may affect factory calibration. For best accuracy, modules should be zero calibrated once integrated into a product, prior to shipment. Specified accuracy is after re-zeroing process or 14 days of continuous operation with ABC Logic.

Automatic Background Logic, or ABC Logic, is a patented self-calibration technique that is designed to be used in applications where concentrations will drop to outside ambient conditions (approximately 400 ppm) at least 3 times in a 14 day period, typically during unoccupied periods.

Pin Designations

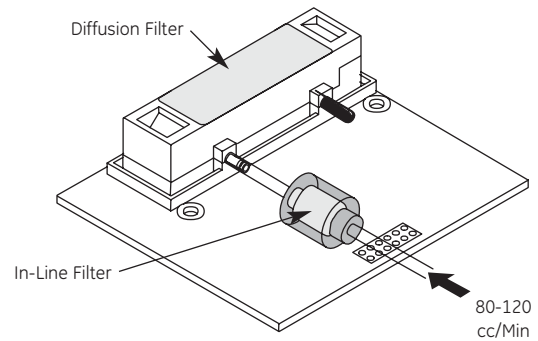
Pin	Function
1	5 VDC (input power)
2	GND
3	No Connect
4	AVOUT (6004 only)
5	UB ACK
6	SER OUT
7	SER CLK
8	SER IN
9	UB REQ
10	TDX (UART)
11	RDX (UART) / ACK (SPI)
12	GND

For applications that do not see periodic ambient conditions, ABC Logic can be turned off, but a regular single point calibration of the sensor may be necessary. Contact Telaire for more detailed information on operating the Modules with ABC Logic .

Models and Calibrations Configurations

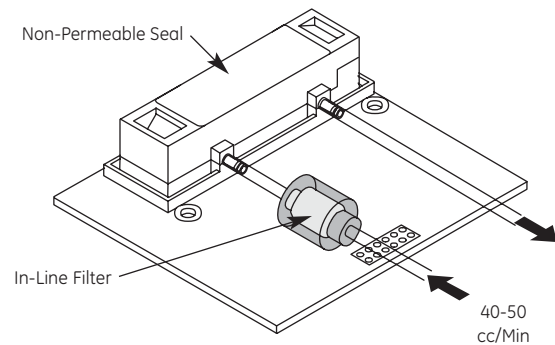
Module 6004 (Diffusion)

Air can be introduced to the sensor via the flow port and exit through the diffusion membrane (typical configuration for calibration). Flow rate of 80 to 120 cc/min required.



Module 6004-F (Flow through)

The diffusion membrane is replaced with a non permeable seal. The two flow ports can be used for flow through sampling. Flow rate of 40 to 50 cc/min required.



GE
Sensing



©2006 GE. All rights reserved.
920-356A

All specifications are subject to change for product improvement without notice.
GE® is a registered trademark of General Electric Co. Other company or product
names mentioned in this document may be trademarks or registered trademarks
of their respective companies, which are not affiliated with GE.

www.gesensing.com